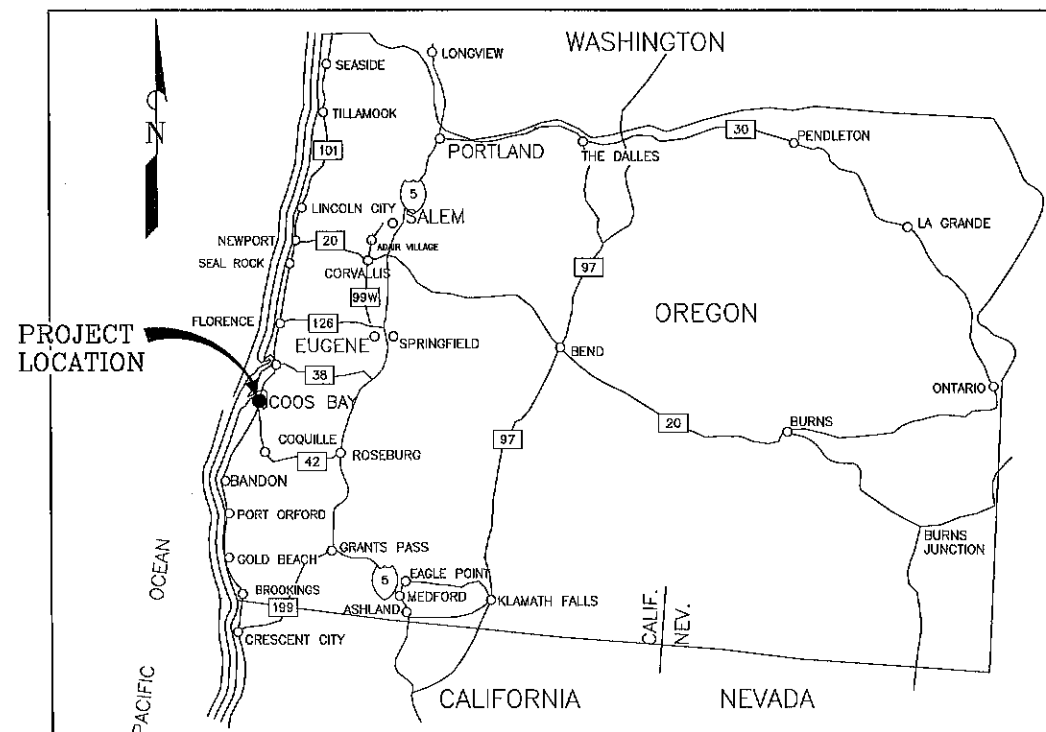


THE CITY OF COOS BAY

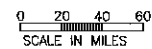
COOS COUNTY, OREGON

OCEAN BOULEVARD SIDEWALK IMPROVEMENTS

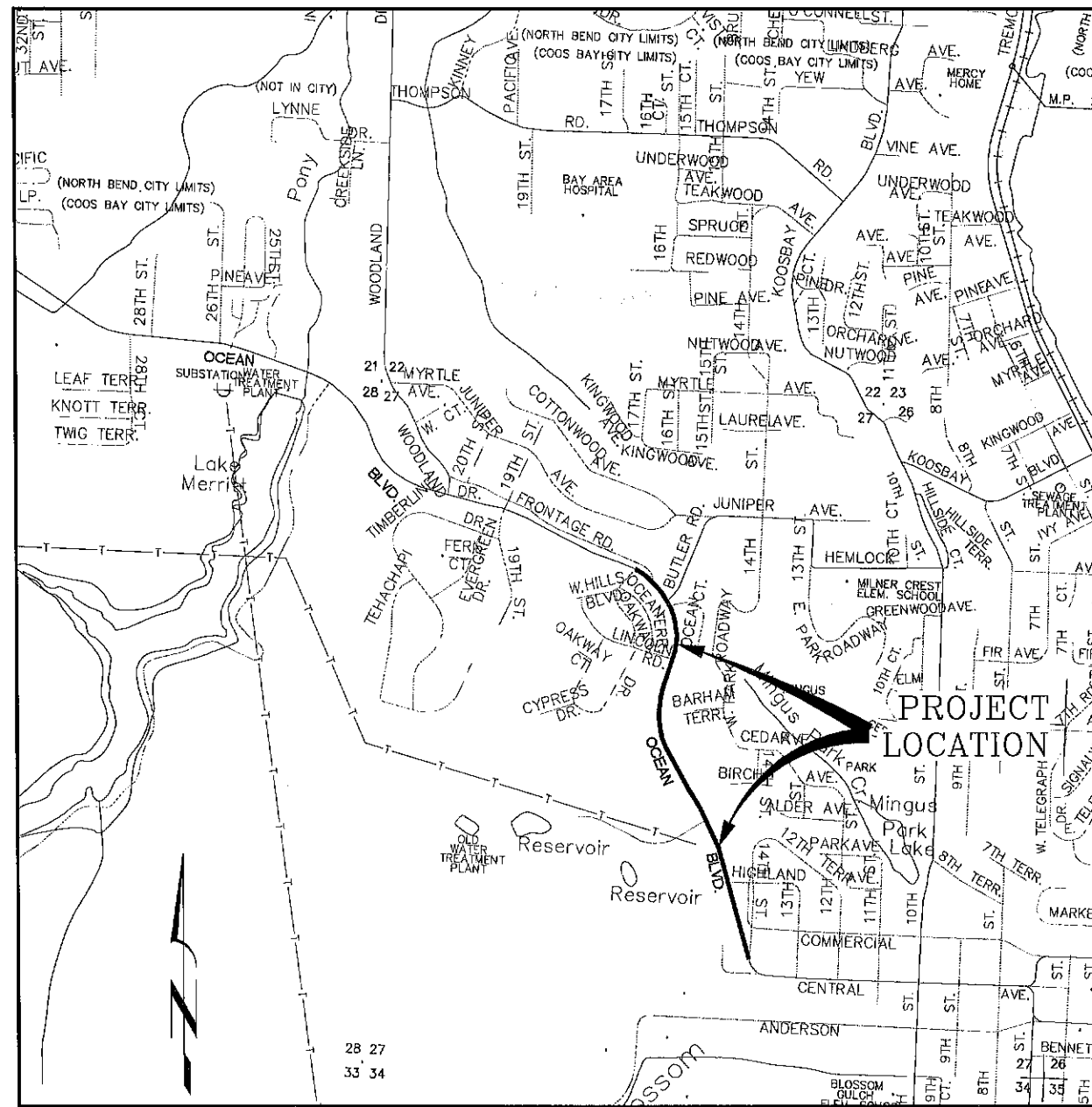
JUNE 2010



LOCATION MAP



PAGE NO.	SHEET	SHEET TITLE
1	G1	COVER
2-3	G2-G3	SHEET LAYOUT KEY + DETAILS
4-9	C1-C7	SIDEWALK PLAN VIEW

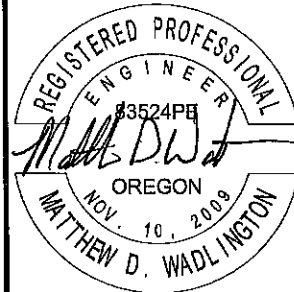


VICINITY MAP

SCALE: 1" = 1/4 MILE

SYMBOL LEGEND

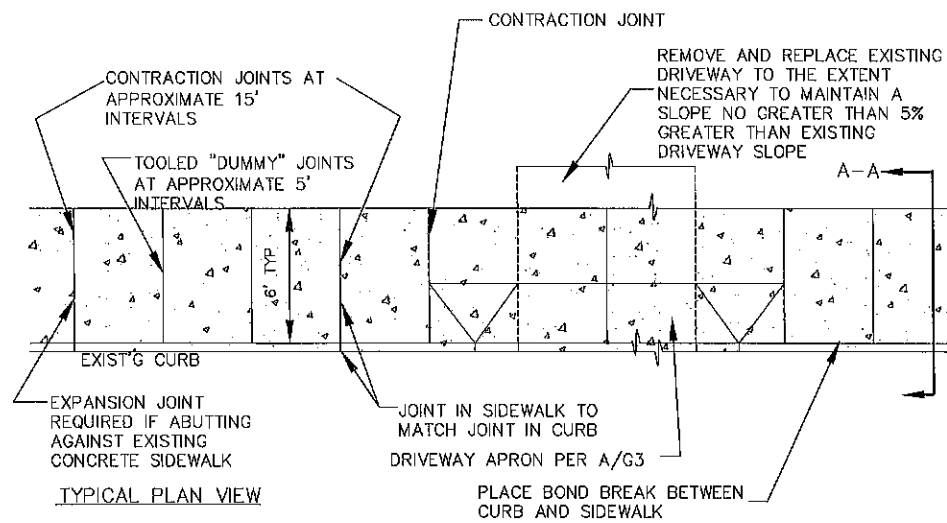
---	EXISTING BACK OF CURB	⊗	EXISTING METER
---	FACE OF CURB	⊗	EXISTING WATER VALVE
---	RIGHT-OF-WAY	⊙	UTILITY/POWER POLE W/ ANCHOR
---	PROPERTY LINE	⊠	EXISTING ROAD SIGN
---	CENTERLINE	⊠	EXISTING REFLECTOR
---	EASEMENT LINE	△	EXISTING GAS MARKER
---	TOP	⊠ _{MB}	EXISTING MAILBOX
---	TOE	○	LOCATED MONUMENT
▨	EXISTING CONCRETE SIDEWALK	⊠	EXISTING CATCH BASIN
▨	PROPOSED CONCRETE SIDEWALK		



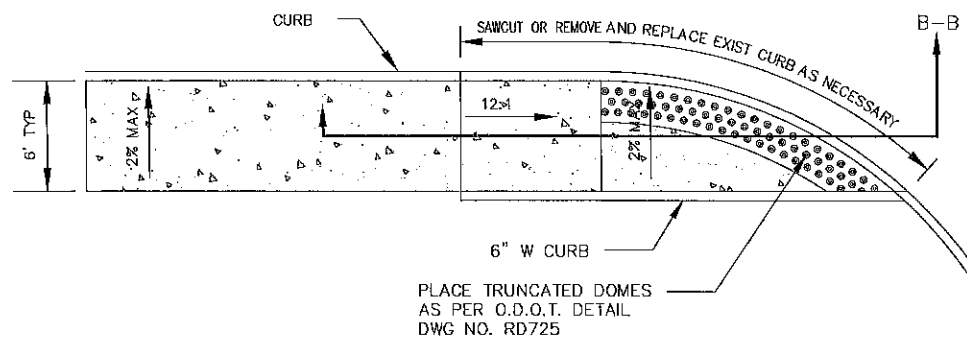
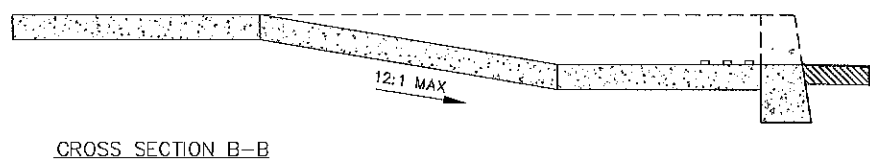
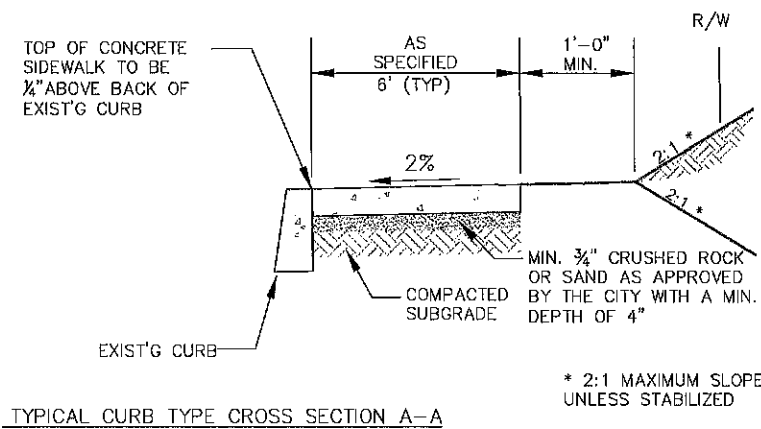
REV.	DATE	DESCRIPTION	BY

Designed By: MDW	Drawn By: TJO	Checked By: JGP	Project No: 1201-034
File: C:\PROJECTS\DWG\AVE H-Model.dwg			

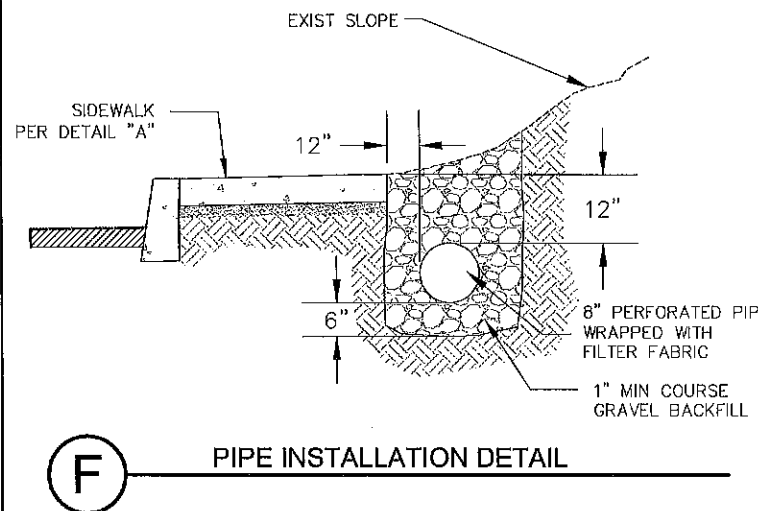
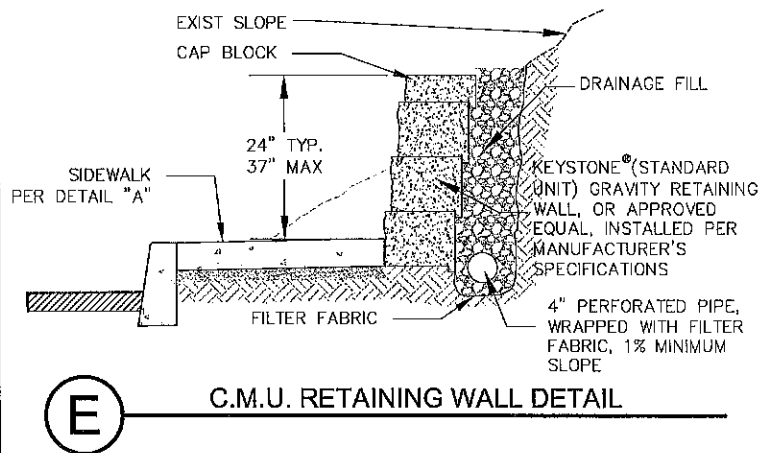
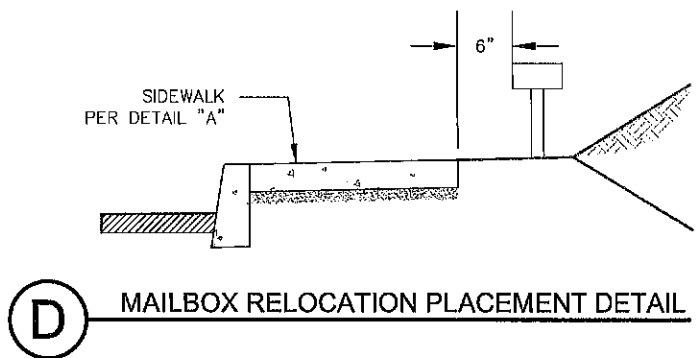
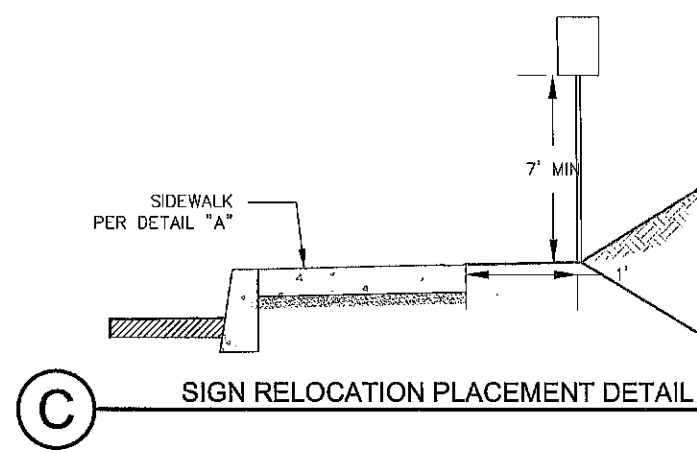
CITY OF COOS BAY
500 CENTRAL AVE., COOS BAY, OR 97420
OCEAN BOULEVARD
SIDEWALK IMPROVEMENTS
COVER



A STANDARD SIDEWALK DETAILS

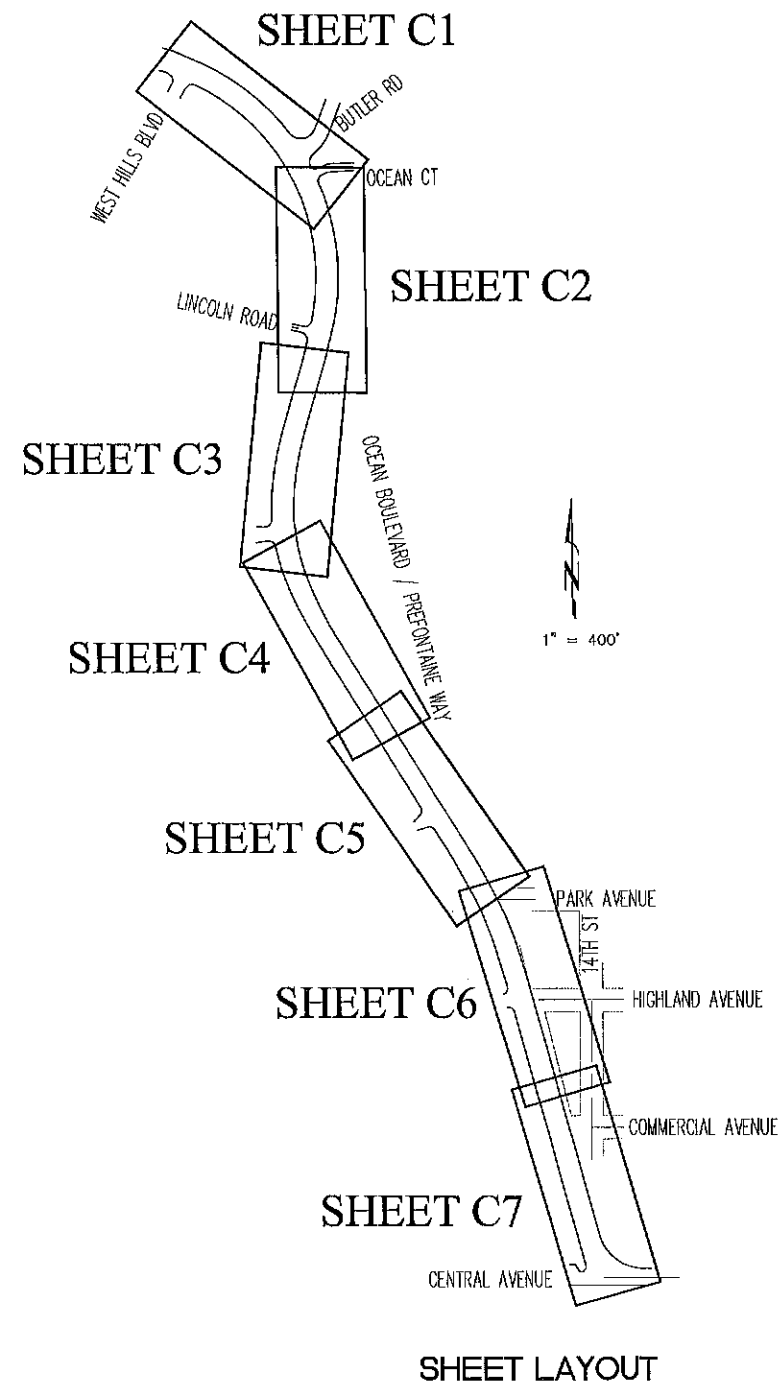


B CURB ACCESS RAMP DETAIL



GENERAL NOTES:

- 1) ALL CONSTRUCTION AND TEST METHODS SHALL BE IN CONFORMANCE WITH THE CITY OF COOS BAY DEVELOPMENT PROVISIONS FOR PUBLIC AND PRIVATE INFRASTRUCTURE, PART 3 - CONSTRUCTION SPECIFICATIONS (DRAFT).
- 2) CONCRETE SHALL BE 3000 PSI AT 28 DAYS.
- 3) STANDARD SIDEWALK CROSS SLOPE SHALL BE 2% MAX.
- 4) CONCRETE DEPTH FOR SIDEWALKS SHALL BE A NOMINAL 4" MIN.
- 5) CONTRACTION JOINTS SHALL BE INSTALLED AT APPROXIMATE INTERVALS OF 15' BY CUTTING AT LEAST 1/3 OF THE DEPTH OF THE CONCRETE. "DUMMY" JOINTS SHALL BE INSTALLED AT APPROXIMATE INTERVALS OF 5'. EXPANSION JOINTS WITH PREMOLDED FILLER SHALL BE INSTALLED BETWEEN DRIVEWAYS & SIDEWALKS AT THE DIRECTION OF THE ENGINEER, SEE DRIVEWAY STANDARD
- 6) INSTALL A BOND BREAKER OR ISOLATION JOINT BETWEEN BACK OF CURB & SIDEWALK, & AROUND ANY OBSTRUCTION WITHIN SIDEWALK AREACOMPACT BACKFILL UNDER SIDEWALK & DRIVEWAY TO 90% RELATIVE MAXIMUM DENSITY (AASHTO T-99) TO 6" THICK MIN.
- 7) CONCRETE SHALL HAVE A LIGHT TRANSVERSE BROOM FINISH ON ALL SIDEWALKS AND DRIVEWAYS.
- 8) MAINTAIN CONSTANT GRADE AT BACK EDGE OF DRIVEWAY RAMPS THROUGH DRIVEWAYS WHEN POSSIBLE.



Civil West Engineering Services, Inc.

541-266-8601
www.civilwest.com

486 E Street
Coos Bay, Oregon 97420

REV.	DATE	DESCRIPTION	BY

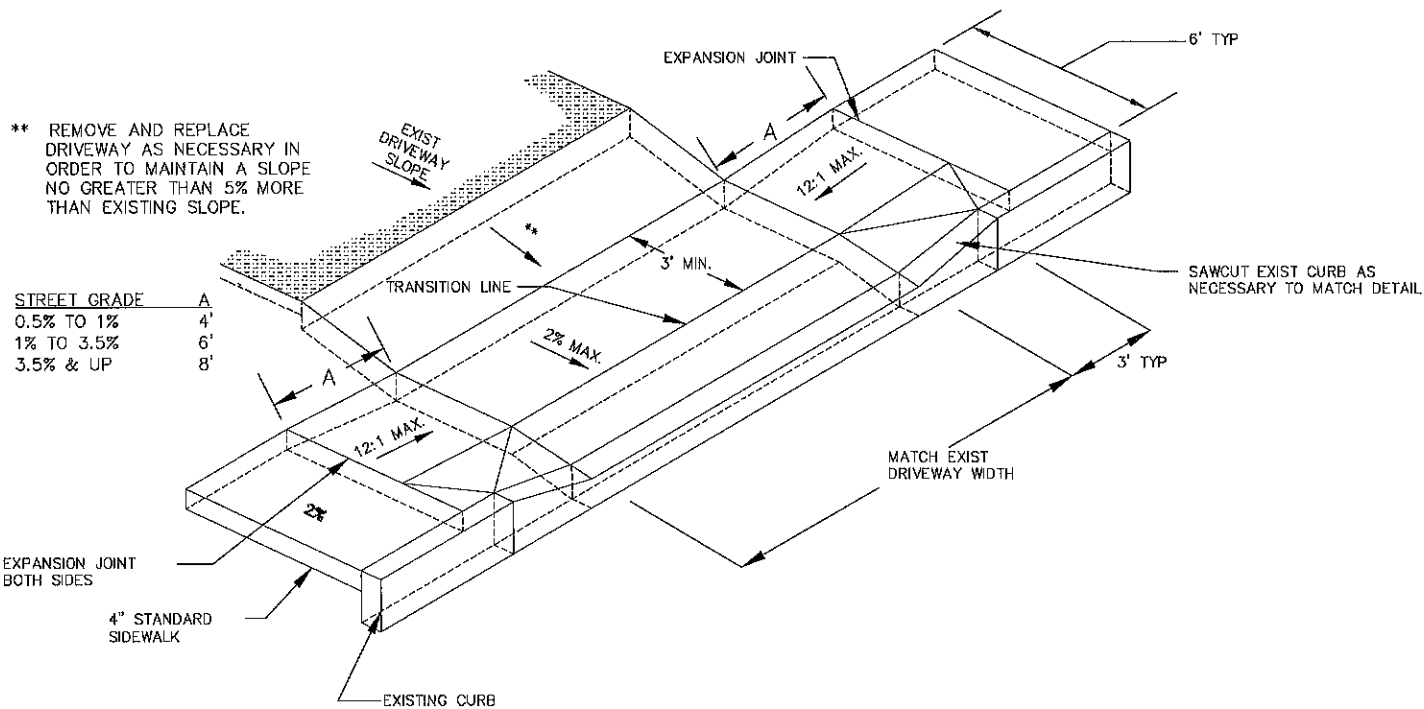
Designed By: MDW
Drawn By: TJO
Checked By: JGP
Project No: 1201-034
File: C:\PROJECTS\DWG\AVE H-Model.dwg

CITY OF COOS BAY
500 CENTRAL AVE, COOS BAY, OR 97420

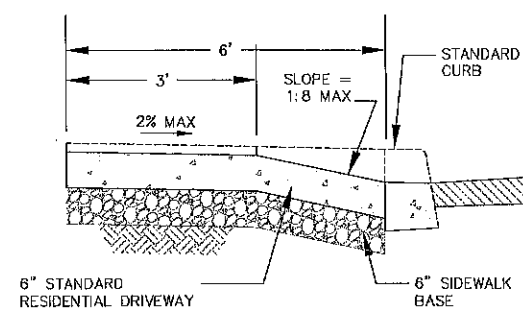
OCEAN BOULEVARD
SIDEWALK IMPROVEMENTS

SHEET LAYOUT KEY + DETAILS

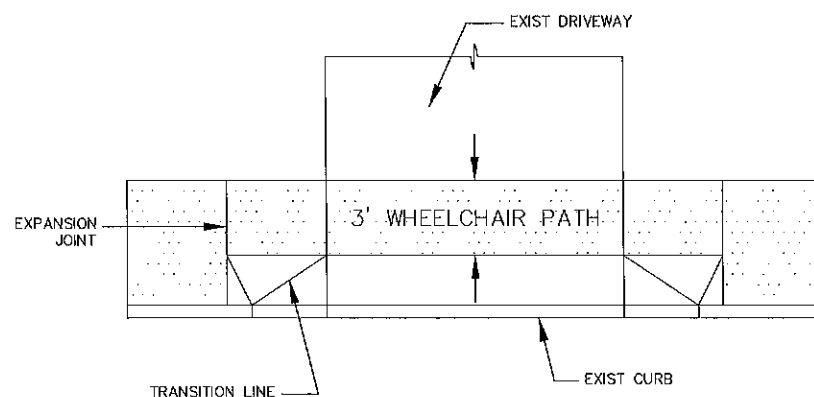
Sheet No. **G2**
Date: 07/07/2010
2 of 9



TYPICAL DRIVEWAY / DROP CURB FOR STANDARD SIDEWALK - OPTION "B"

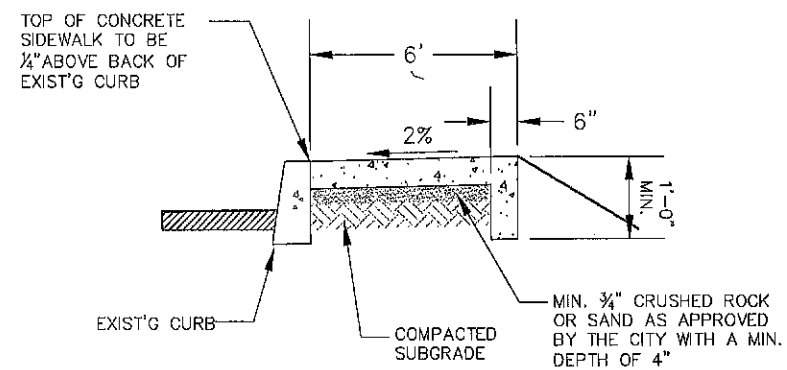


TYPICAL DRIVEWAY SECTION

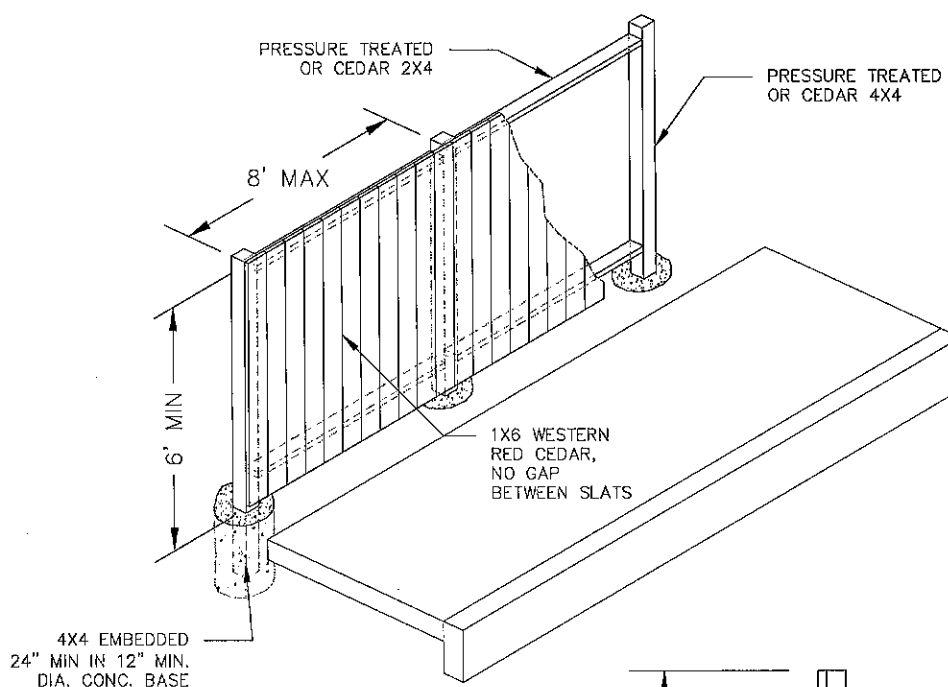


PLAN VIEW

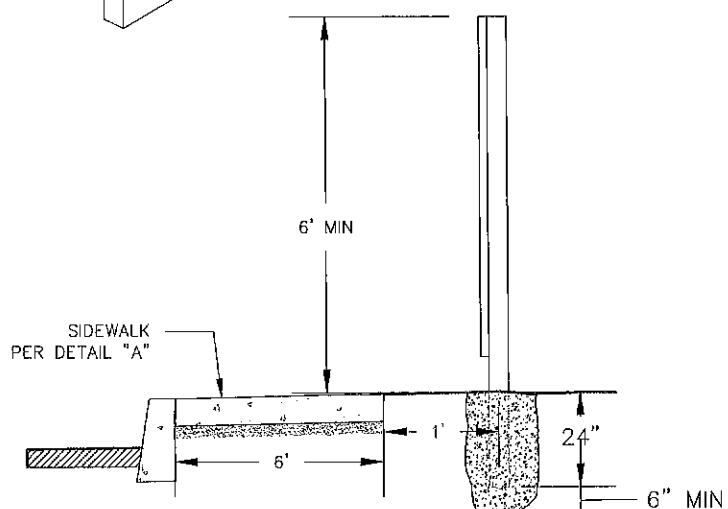
A CONCRETE DRIVEWAY CROSS SECTION OPTION "B"



B SIDEWALK TOE DOWN DETAIL



C WOOD FENCE DETAIL



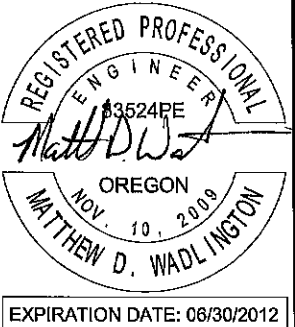
REGISTERED PROFESSIONAL
ENGINEER
93624RE
Matthew D. Wadlington
OREGON
NOV. 10, 2009
MATTHEW D. WADLINGTON
EXPIRATION DATE: 06/30/2012

Civil West
Engineering Services, Inc.
541-266-8601
www.civilwest.com
486 E Street
Coos Bay, Oregon 97420

REV.	DATE	DESCRIPTION	BY

Designed By: MCHY	Drawn By: TJO	Checked By: JGP	Project No: 1201-004
File: C:\PROJECTS\DWG\SAVE H\Modell.dwg			

CITY OF COOS BAY
500 CENTRAL AVE, COOS BAY, OR 97420
OCEAN BOULEVARD
SIDEWALK IMPROVEMENTS
DETAILS



Civil West
Engineering Services, Inc.

541-266-8601
www.civilwest.com

486 E Street
Coos Bay, Oregon 97420

REV.	DATE	DESCRIPTION	BY

Designed By: MDW	Drawn By: TJO	Checked By: JGP	Project No: 1201-034
File: C:\PROJECTS\DWG\AVE H-Medial.dwg			

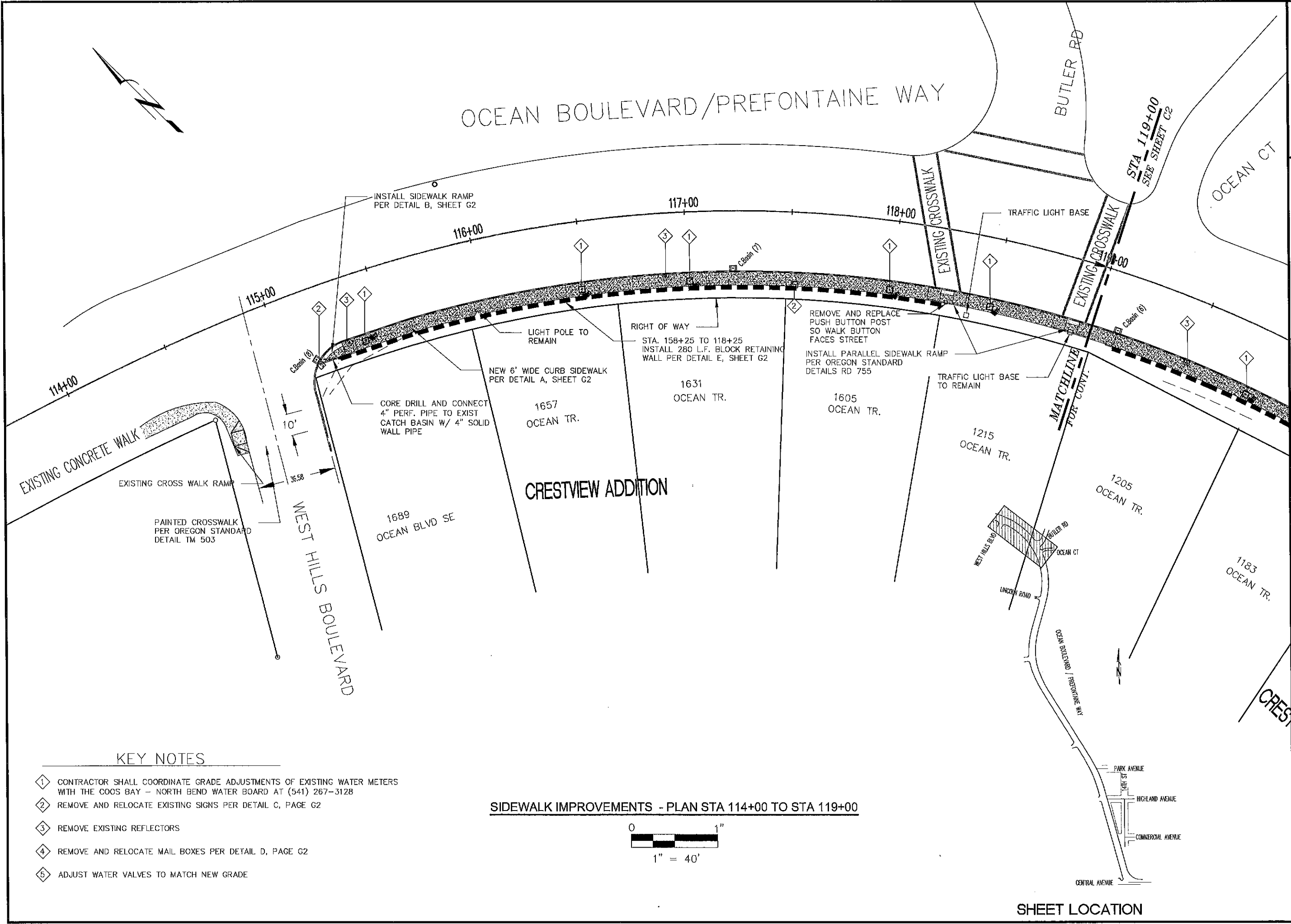
CITY OF COOS BAY
500 CENTRAL AVE, COOS BAY, OR 97420

OCEAN BOULEVARD
SIDEWALK IMPROVEMENTS

PLAN VIEW
STA 114+00 TO STA 119+00

Drawn: **G1**
Date: **07/07/2010**

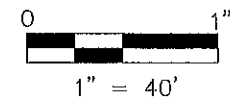
3 of 9



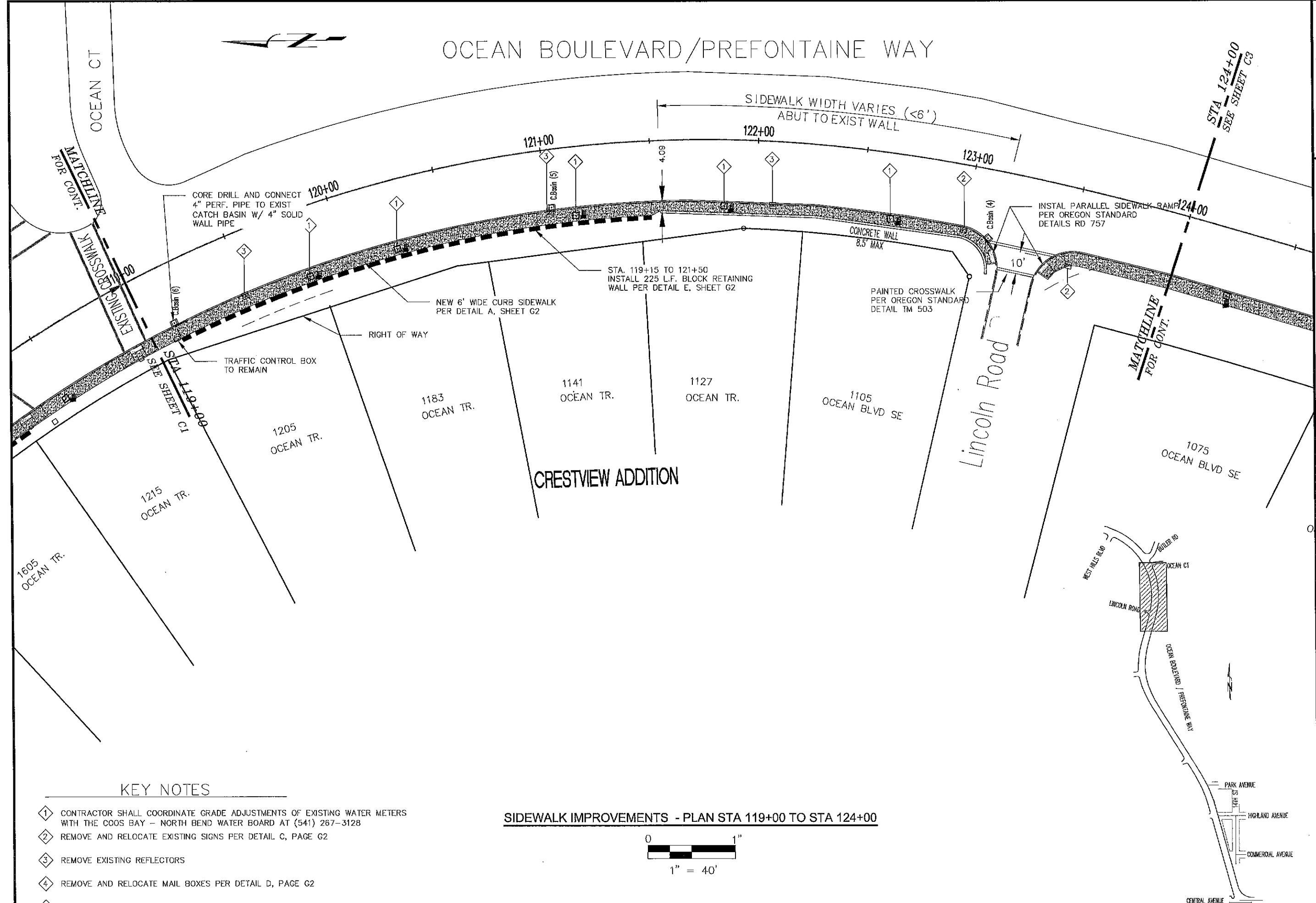
KEY NOTES

- ① CONTRACTOR SHALL COORDINATE GRADE ADJUSTMENTS OF EXISTING WATER METERS WITH THE COOS BAY - NORTH BEND WATER BOARD AT (541) 267-3128
- ② REMOVE AND RELOCATE EXISTING SIGNS PER DETAIL C, PAGE G2
- ③ REMOVE EXISTING REFLECTORS
- ④ REMOVE AND RELOCATE MAIL BOXES PER DETAIL D, PAGE G2
- ⑤ ADJUST WATER VALVES TO MATCH NEW GRADE

SIDEWALK IMPROVEMENTS - PLAN STA 114+00 TO STA 119+00



SHEET LOCATION



OCEAN BOULEVARD/PREFONTAINE WAY

SIDEWALK WIDTH VARIES (<6')
ABUT TO EXIST WALL

CORE DRILL AND CONNECT
4" PERF. PIPE TO EXIST
CATCH BASIN W/ 4" SOLID
WALL PIPE

NEW 6' WIDE CURB SIDEWALK
PER DETAIL A, SHEET G2

STA. 119+15 TO 121+50
INSTALL 225 L.F. BLOCK RETAINING
WALL PER DETAIL E, SHEET G2

CONCRETE WALL
8.5' MAX

INSTAL PARALLEL SIDEWALK RAMP
PER OREGON STANDARD
DETAILS RD 757

TRAFFIC CONTROL BOX
TO REMAIN

RIGHT OF WAY

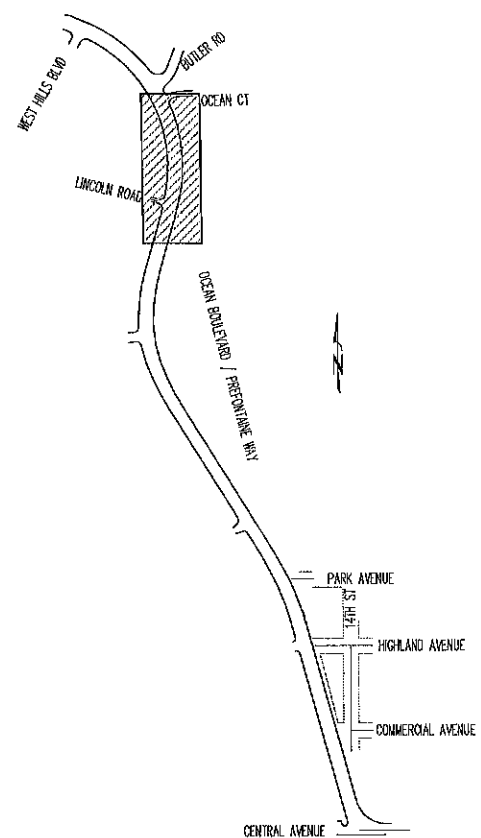
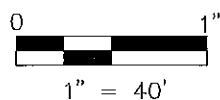
CRESTVIEW ADDITION

Lincoln Road

KEY NOTES

- 1 CONTRACTOR SHALL COORDINATE GRADE ADJUSTMENTS OF EXISTING WATER METERS WITH THE COOS BAY - NORTH BEND WATER BOARD AT (541) 267-3128
- 2 REMOVE AND RELOCATE EXISTING SIGNS PER DETAIL C, PAGE G2
- 3 REMOVE EXISTING REFLECTORS
- 4 REMOVE AND RELOCATE MAIL BOXES PER DETAIL D, PAGE G2
- 5 ADJUST WATER VALVES TO MATCH NEW GRADE

SIDEWALK IMPROVEMENTS - PLAN STA 119+00 TO STA 124+00



REGISTERED PROFESSIONAL
ENGINEER
83524PE
Matthew D. Wadlington
OREGON
NOV. 10, 2009
MATTHEW D. WADLINGTON
EXPIRATION DATE: 06/30/2012

Civil West
Engineering Services, Inc.
486 E Street
Coos Bay, Oregon 97420
541-266-8601
www.civilwest.com

REV.	DATE	DESCRIPTION	BY

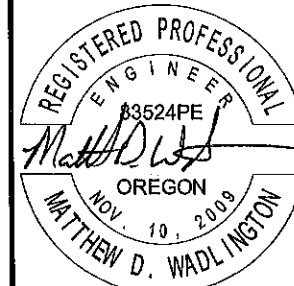
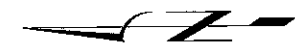
Designed By: MDW	Drawn By: TJC	Checked By: JSP
File: C:\PROJECTS\DWG\GAVE H-Model.dwg	Project No: 1201-034	

CITY OF COOS BAY
600 CENTRAL AVE, COOS BAY, OR 97420
OCEAN BOULEVARD
SIDEWALK IMPROVEMENTS
PLAN VIEW
STA 119+00 TO STA 124+00

Sheet No. **C2**
Date: 07/07/2010
4 of 9

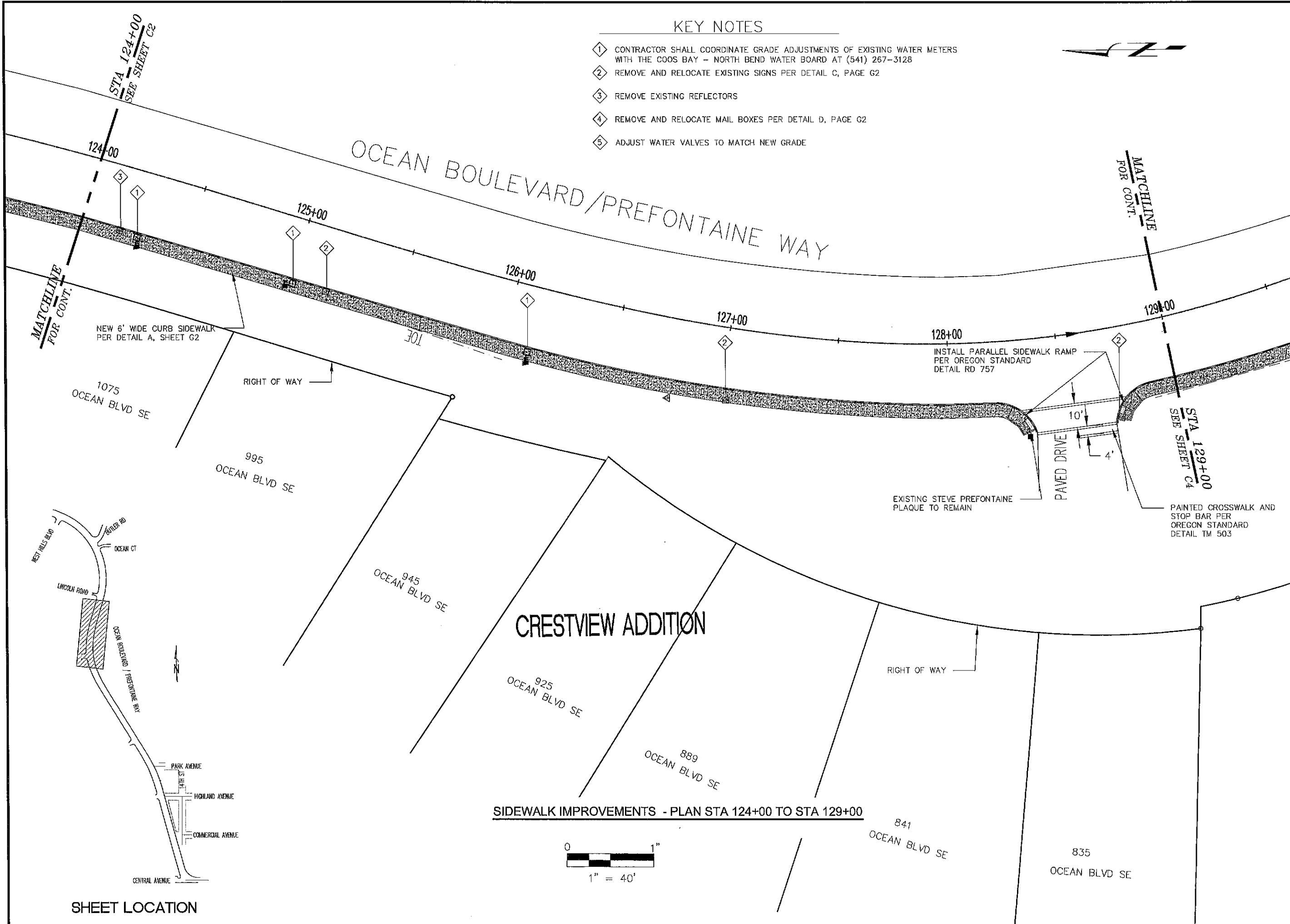
KEY NOTES

- 1 CONTRACTOR SHALL COORDINATE GRADE ADJUSTMENTS OF EXISTING WATER METERS WITH THE COOS BAY - NORTH BEND WATER BOARD AT (541) 267-3128
- 2 REMOVE AND RELOCATE EXISTING SIGNS PER DETAIL C, PAGE G2
- 3 REMOVE EXISTING REFLECTORS
- 4 REMOVE AND RELOCATE MAIL BOXES PER DETAIL D, PAGE G2
- 5 ADJUST WATER VALVES TO MATCH NEW GRADE



EXPIRATION DATE: 06/30/2012

Civil West
Engineering Services, Inc.
486 E Street
Coos Bay, Oregon 97420
541-266-8601
www.civilwest.com



MATCHLINE FOR CONT.

MATCHLINE FOR CONT.

1075 OCEAN BLVD SE

995 OCEAN BLVD SE

945 OCEAN BLVD SE

925 OCEAN BLVD SE

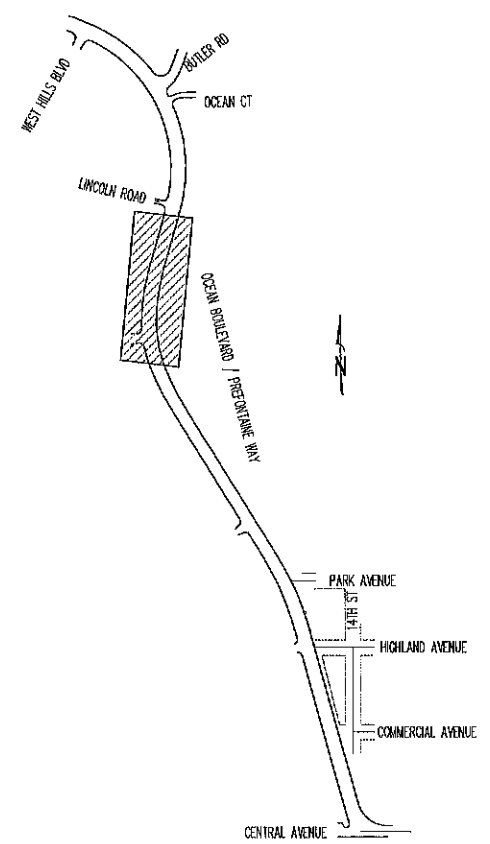
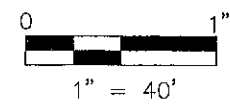
889 OCEAN BLVD SE

841 OCEAN BLVD SE

835 OCEAN BLVD SE

CRESTVIEW ADDITION

SIDEWALK IMPROVEMENTS - PLAN STA 124+00 TO STA 129+00



SHEET LOCATION

REV.	DATE	DESCRIPTION	BY

Designed By: MCHW	Drawn By: TJP	Checked By: JGP	Project No: 1201-034
File: C:\PROJECTS\BIDWIS\AVE H\Medial.dwg			

CITY OF COOS BAY
500 CENTRAL AVE., COOS BAY, OR 97420

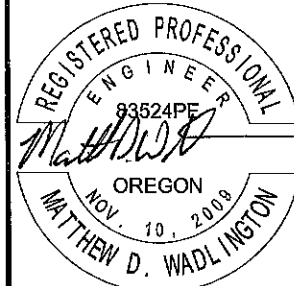
OCEAN BOULEVARD
SIDEWALK IMPROVEMENTS

PLAN VIEW
STA 124+00 TO STA 129+00

Date: 07/07/2010

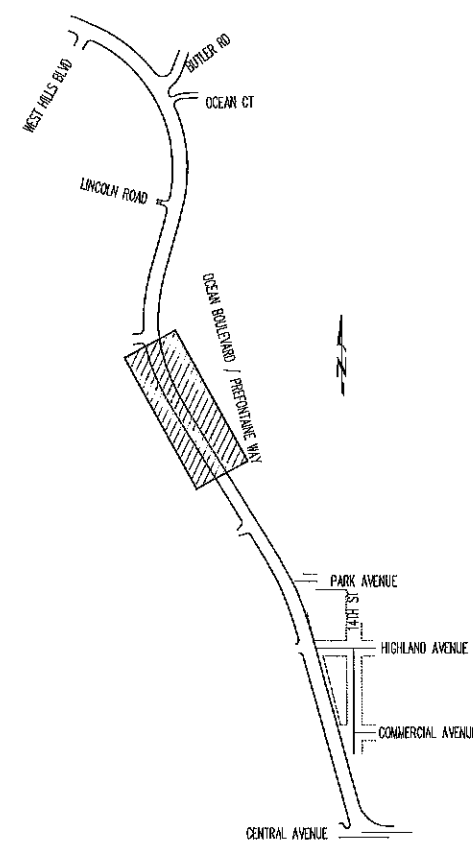
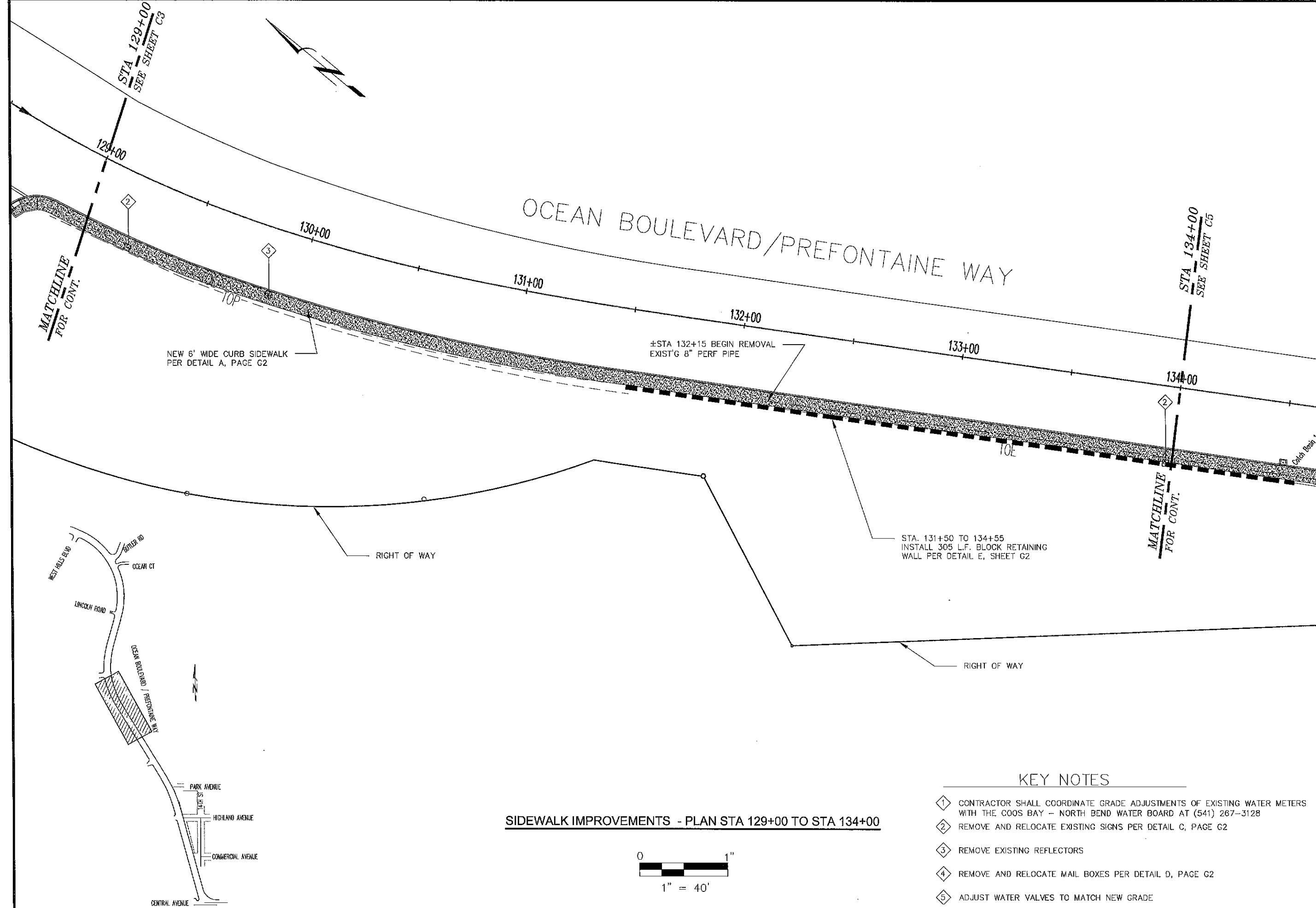
Sheet No: G3

5 of 9



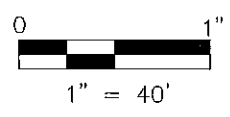
EXPIRATION DATE: 06/30/2012

Civil West
Engineering Services, Inc.
486 E. Street
Coos Bay, Oregon 97420
541-266-8601
www.civilwest.com



SHEET LOCATION

SIDEWALK IMPROVEMENTS - PLAN STA 129+00 TO STA 134+00



KEY NOTES

- ① CONTRACTOR SHALL COORDINATE GRADE ADJUSTMENTS OF EXISTING WATER METERS WITH THE COOS BAY - NORTH BEND WATER BOARD AT (541) 267-3128
- ② REMOVE AND RELOCATE EXISTING SIGNS PER DETAIL C, PAGE G2
- ③ REMOVE EXISTING REFLECTORS
- ④ REMOVE AND RELOCATE MAIL BOXES PER DETAIL D, PAGE G2
- ⑤ ADJUST WATER VALVES TO MATCH NEW GRADE

REV.	DATE	DESCRIPTION	BY

Designed By: MDW	Drawn By: TJO	Checked By: JGP
File: C:\PROJECTS\DWG\AVE H-Model.dwg	Project No: 1201-034	

CITY OF COOS BAY
500 CENTRAL AVE, COOS BAY, OR 97420

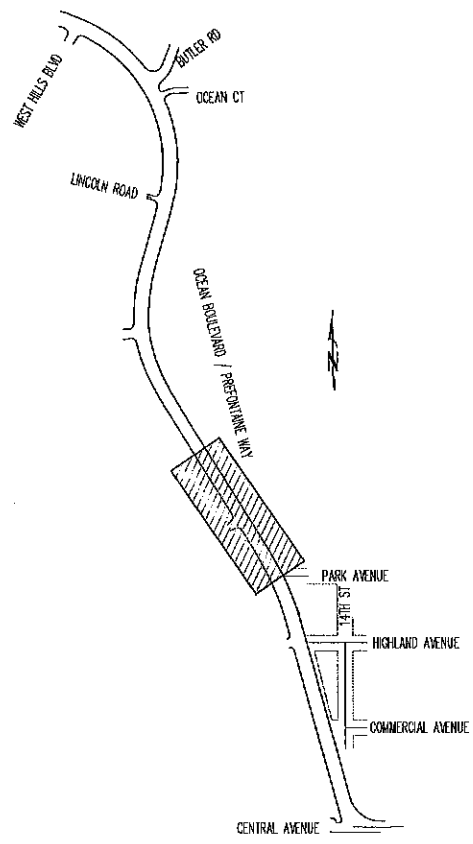
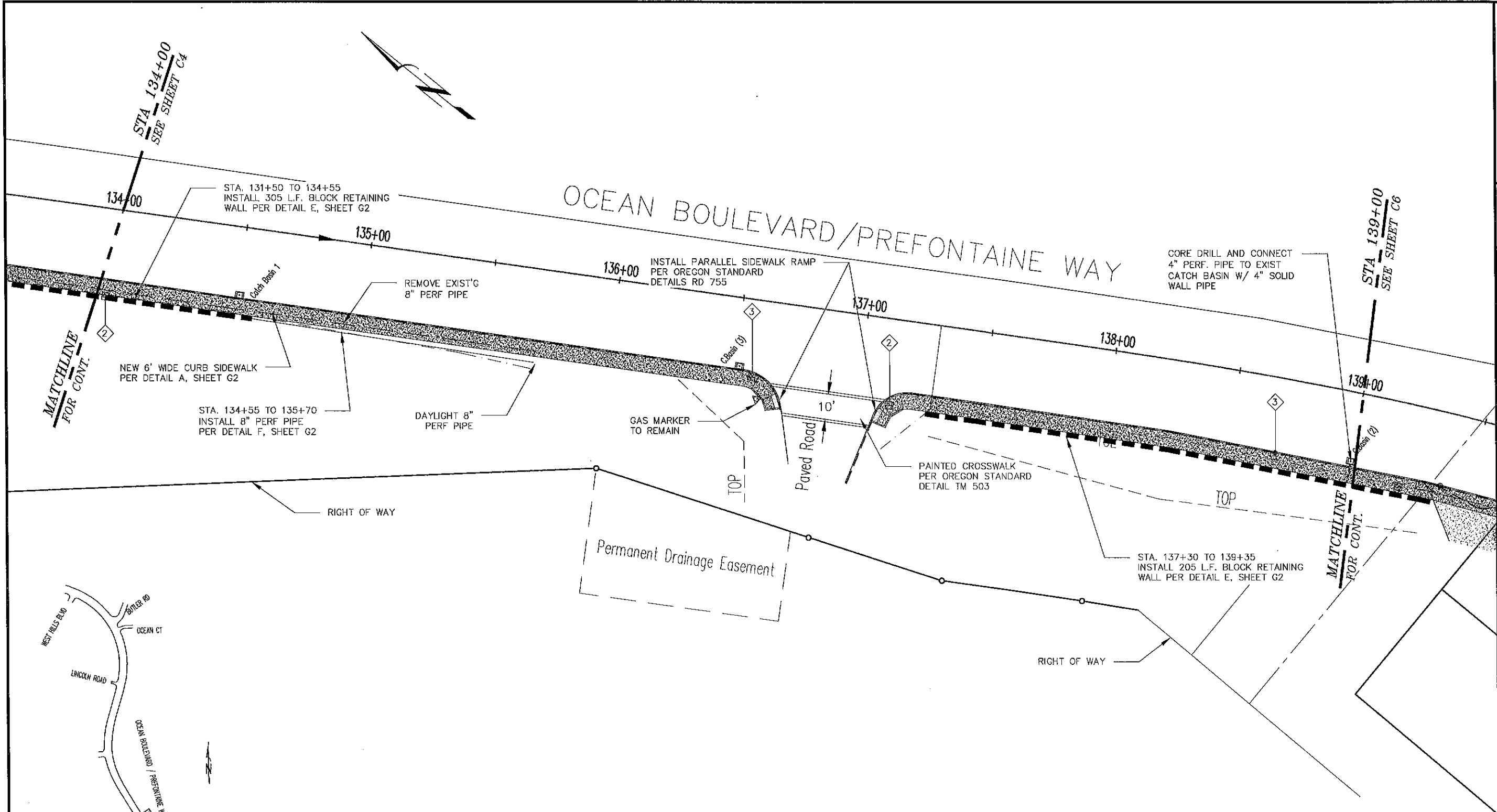
OCEAN BOULEVARD
SIDEWALK IMPROVEMENTS

PLAN VIEW
STA 129+00 TO STA 134+00



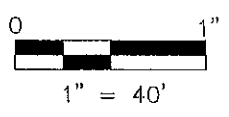
EXPIRATION DATE: 06/30/2012

Civil West
Engineering Services, Inc.
486 E Street
Coos Bay, Oregon 97420
541-266-8601
www.civilwest.com



SHEET LOCATION

SIDEWALK IMPROVEMENTS - PLAN STA 134+00 TO STA 139+00



KEY NOTES

- ① CONTRACTOR SHALL COORDINATE GRADE ADJUSTMENTS OF EXISTING WATER METERS WITH THE COOS BAY - NORTH BEND WATER BOARD AT (541) 267-3128
- ② REMOVE AND RELOCATE EXISTING SIGNS PER DETAIL C, PAGE G2
- ③ REMOVE EXISTING REFLECTORS
- ④ REMOVE AND RELOCATE MAIL BOXES PER DETAIL D, PAGE G2
- ⑤ ADJUST WATER VALVES TO MATCH NEW GRADE

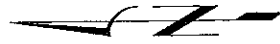
REV.	DATE	DESCRIPTION	BY

Designed By: MDW
Drawn By: TJO
Checked By: JGP
Project No: 1201004
File: C:\PROJECTS\DWG\AVE H-Model.dwg

CITY OF COOS BAY
500 CENTRAL AVE, COOS BAY, OR 97420

OCEAN BOULEVARD
SIDEWALK IMPROVEMENTS

PLAN VIEW
STA 134+00 TO STA 139+00

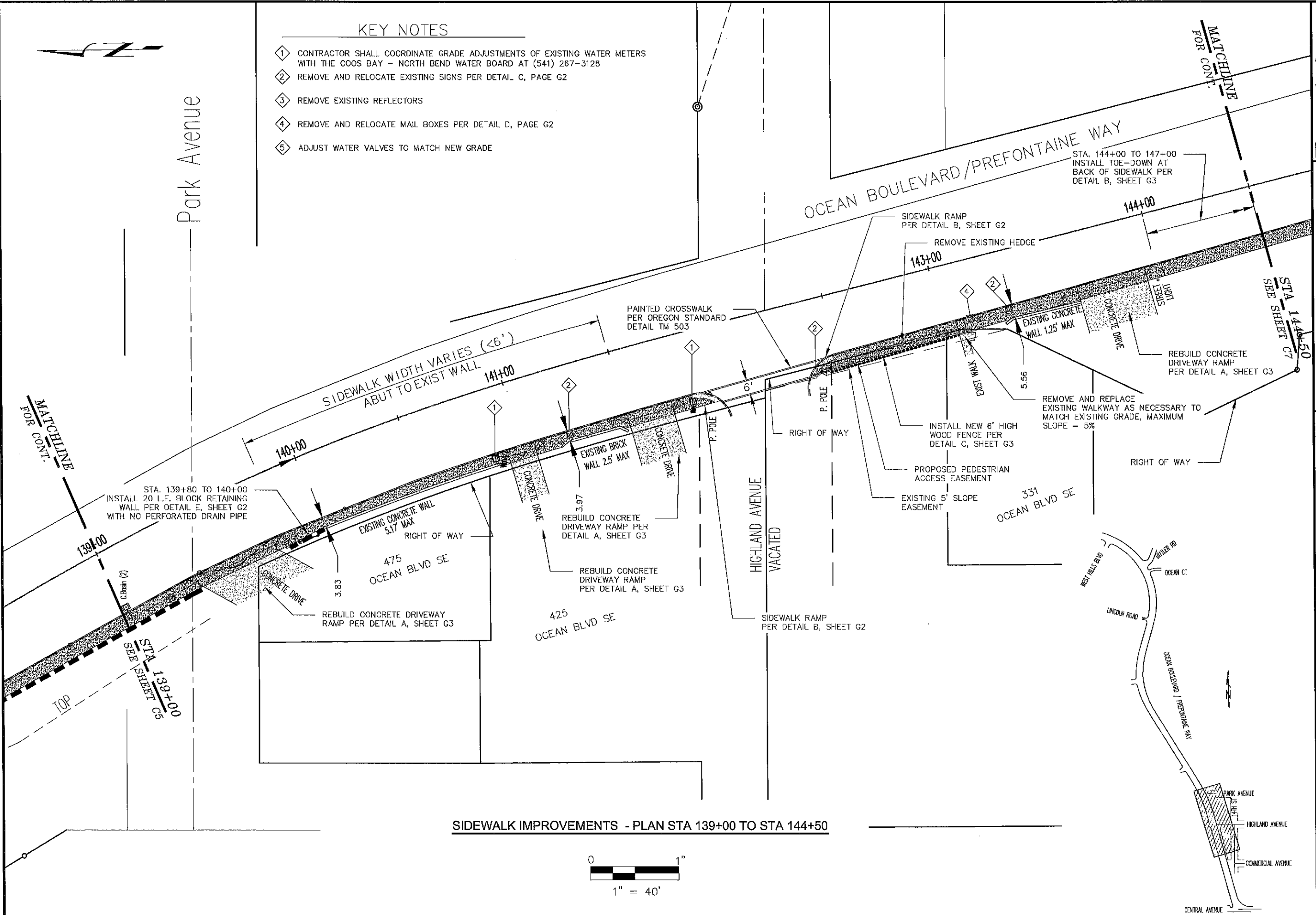


KEY NOTES

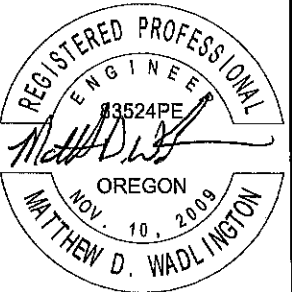
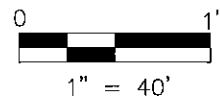
- 1 CONTRACTOR SHALL COORDINATE GRADE ADJUSTMENTS OF EXISTING WATER METERS WITH THE COOS BAY - NORTH BEND WATER BOARD AT (541) 267-3128
- 2 REMOVE AND RELOCATE EXISTING SIGNS PER DETAIL C, PAGE G2
- 3 REMOVE EXISTING REFLECTORS
- 4 REMOVE AND RELOCATE MAIL BOXES PER DETAIL D, PAGE G2
- 5 ADJUST WATER VALVES TO MATCH NEW GRADE

Park Avenue

OCEAN BOULEVARD/PREFONTAINE WAY



SIDEWALK IMPROVEMENTS - PLAN STA 139+00 TO STA 144+50



EXPIRATION DATE: 06/30/2012

Civil West
Engineering Services, Inc.
486 E Street
Coos Bay, Oregon 97420
541-266-8601
www.civilwest.com

REV.	DATE	DESCRIPTION	BY

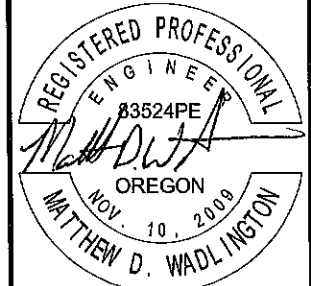
Designed By: MDW
 Drawn By: TJC
 Checked By: JGP
 Project No: 1201-034
 File: C:\PROJECTS\DWG\AVE-H-Model.dwg

CITY OF COOS BAY
500 CENTRAL AVE, COOS BAY, OR 97420

OCEAN BOULEVARD
SIDEWALK IMPROVEMENTS

PLAN VIEW
STA 139+00 TO STA 144+50

SHEET LOCATION



EXPIRATION DATE: 06/30/2012

Civil West
Engineering Services, Inc.

541-266-8601
www.civilwest.com

486 E Street
Coos Bay, Oregon 97420

REV.	DATE	DESCRIPTION	BY

Designed By: MDW	Checked By: JGP
Drawn By: TJO	Project No: 1201-034
File:	

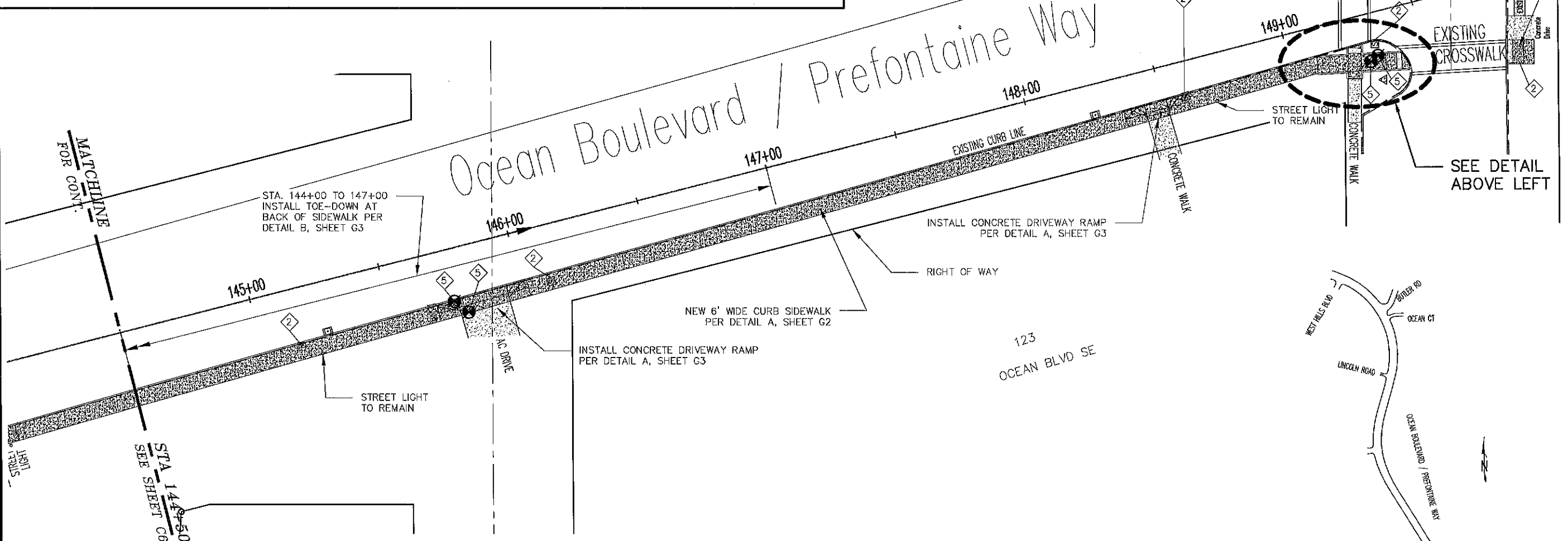
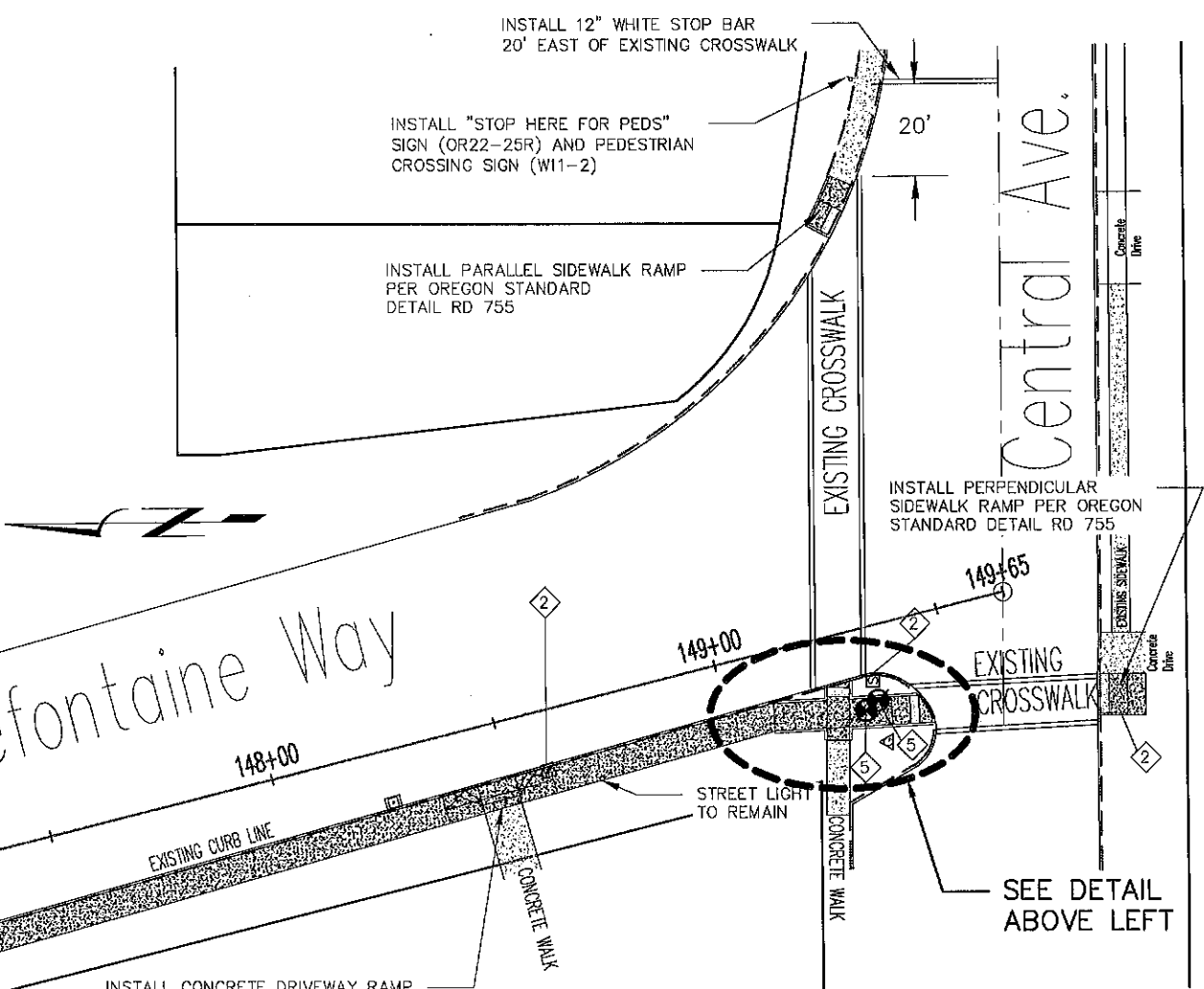
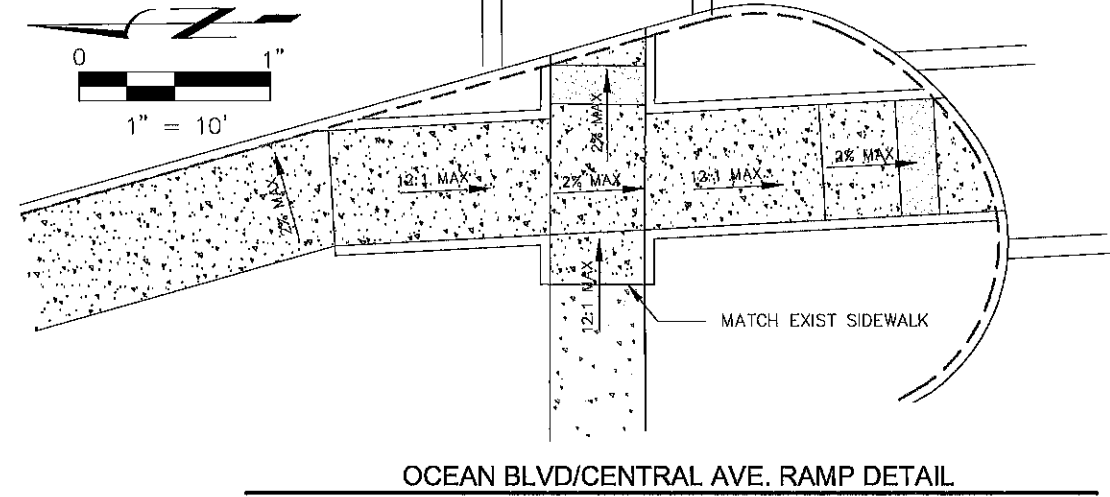
CITY OF COOS BAY
500 CENTRAL AVE, COOS BAY, OR 97420

OCEAN BOULEVARD
SIDEWALK IMPROVEMENTS

PLAN VIEW
STA 144+50 TO STA 149+65.08

Data Sheet No. **G7**
07/07/2010

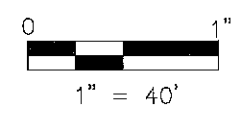
9 of 9



SIDEWALK IMPROVEMENTS - PLAN STA 144+50 TO STA 149+65.08

KEY NOTES

- 1 CONTRACTOR SHALL COORDINATE GRADE ADJUSTMENTS OF EXISTING WATER METERS WITH THE COOS BAY - NORTH BEND WATER BOARD AT (541) 267-3128
- 2 REMOVE AND RELOCATE EXISTING SIGNS PER DETAIL C, PAGE G2
- 3 REMOVE EXISTING REFLECTORS
- 4 REMOVE AND RELOCATE MAIL BOXES PER DETAIL D, PAGE G2
- 5 ADJUST WATER VALVES TO MATCH NEW GRADE



SHEET LOCATION